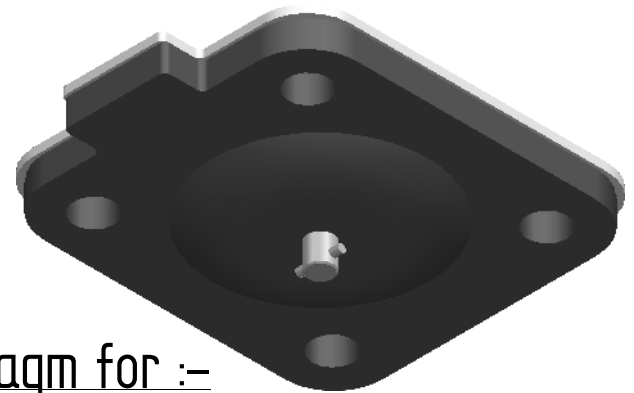
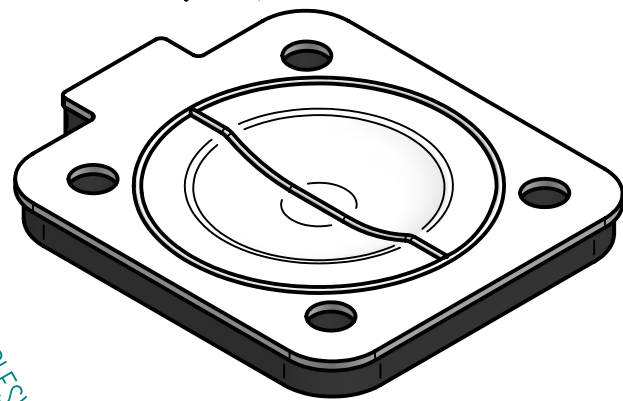



REVISION HISTORY			
REV	DESCRIPTION	DATE	APPROVED
A	New OEM PART - A-020EX-3/4"	08/03/22	JB



Replacement Diaphragm for :-  
 OEM PART = A-020EX-3/4"  
 USED ON 3/4" (DN20) Diaphragm Valve

	NAME	DATE	 <b>DIAPHRAGM DIRECT</b>
DRAWN	M. MC KEON	03/08/22	
CHECKED			
<b>Material -</b> <b>SILICONE BACKING</b> <b>TFM - DIAPHRAGM</b>			TITLE
Complies with CFR 177.2600 and Conforms to USP Class VI Biological Reactivity Tests Section #87 and #88			<b>DD07-STFM-X</b>
SIZE	FOOT PRINT DIMENSIONS		REV
A			A
SCALE: 1 : 1			Job: 38
			SHEET 1 OF 1

Disclaimer - Diaphragm Direct® does not manufacture, represent, nor sell OEM valves or diaphragms manufactured by any other company. Diaphragm Direct® brand diaphragms are not sponsored by any other manufacturers. Any name, model, part number, brand, image, material or referral is for descriptive purposes only. Diaphragm Direct® brand replacement diaphragms are guaranteed to fit OEM equipment and meet or exceed OEM specifications. Diaphragm Direct® brand replacement diaphragms are covered by the standard Diaphragm Direct® limited product warranty.